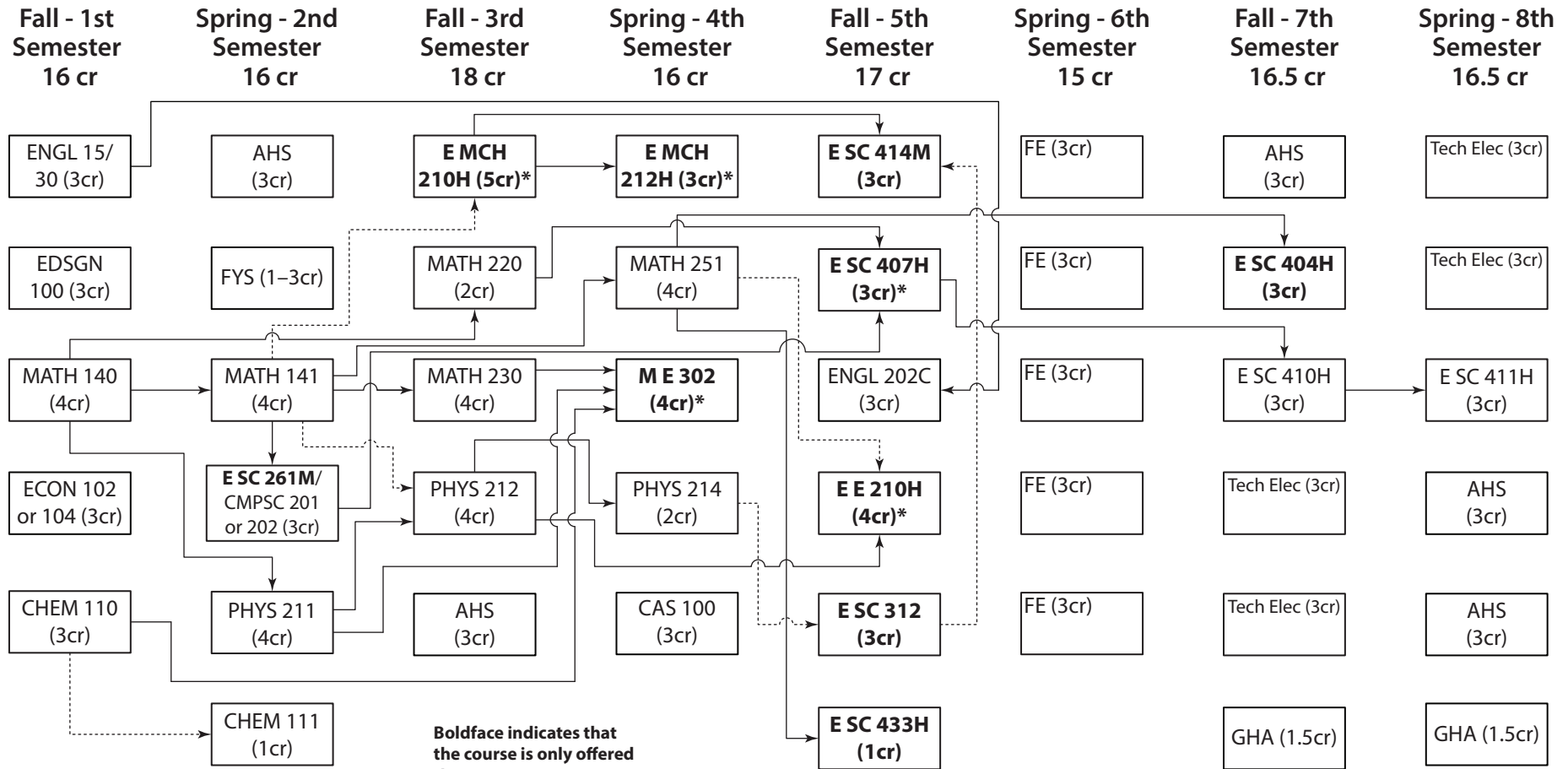


Name: _____

ENGINEERING SCIENCE

Advising Flowchart and Checksheet



—————> Prerequisite
 - - - - -> Prerequisite or Concurrent

Boldface indicates that the course is only offered that semester.

* Indicates that an alternate course is available the other semester.

Foundational Electives (FE) with prerequisites

Core (select 3–5 courses)

- CHEM 112 (3cr) [Sp, Fa, Su]
— CHEM 110
- AERSP 308H (3cr) [Sp]
— E MCH 212, MATH 251
- E MCH 416H (3cr) [Sp]
— E MCH 213 or 210
- E SC 400H (3cr) [Sp]
— E E 210, MATH 250
- E SC 419 (3cr) [Sp]
— E SC 312

Alternative FEs (0–2 courses)

Departmental list contains course from AERSP, AE, BE, BMB, BIO E, BIOL, C E, CH E, CHEM, CMPEN, CMPSC, E E, E SC, EGEE, ENGR, I E, M E, MATH, MATSE, METEO, NUC E

Arts (GA)

US Cultures (US)

Humanities (GH)

International Cultures (IL)

Social Sciences (GS)

See <http://bulletins.psu.edu/> for course titles and descriptions.

Last revised: Aug 16, 2013

† Honors section in Fa semester