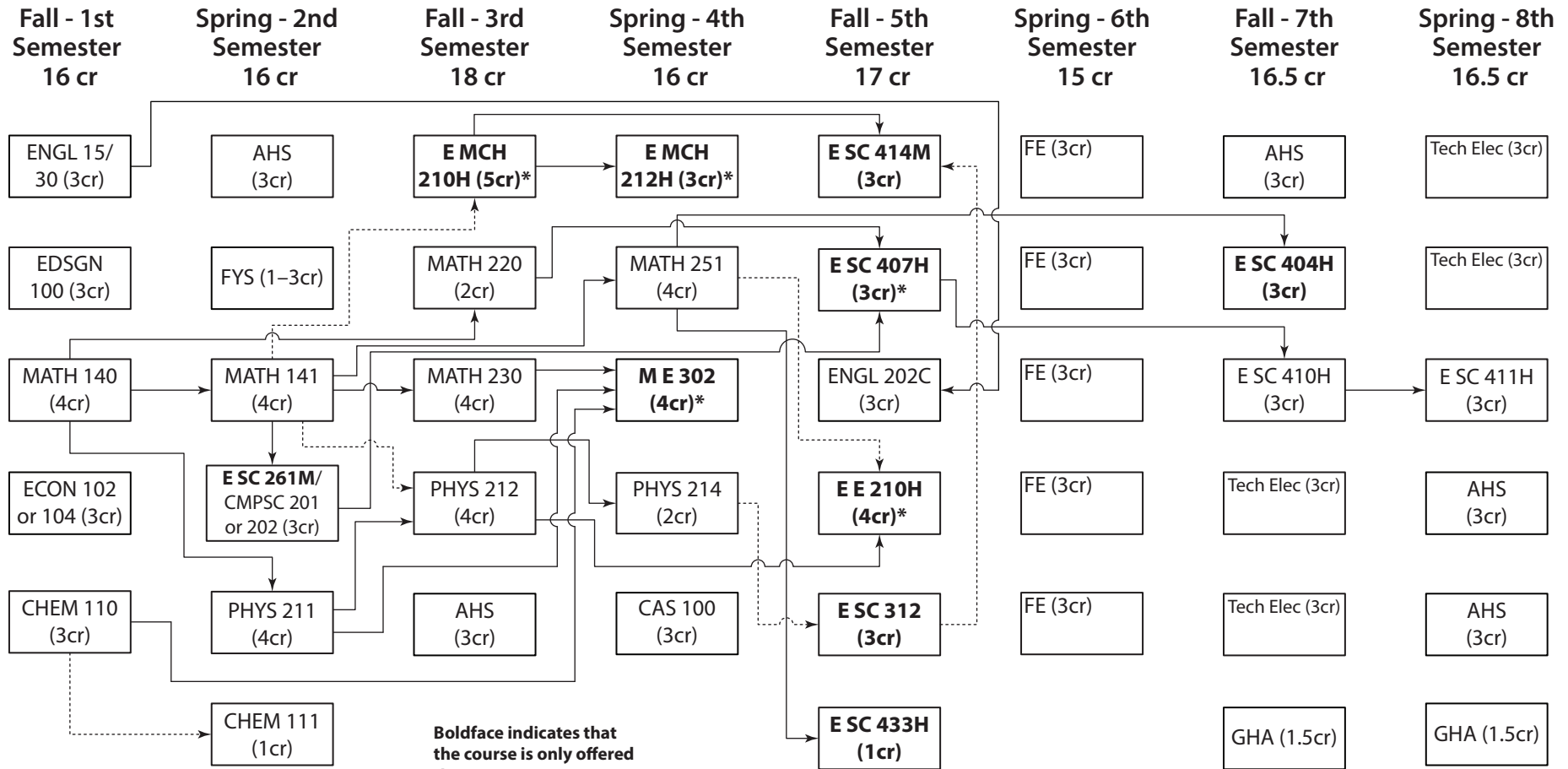


Name: _____

ENGINEERING SCIENCE

Advising Flowchart and Checksheet



Foundational Electives (FE) with prerequisites

Core (select 3-5 courses)

- CHEM 112 (3cr) [Sp, Fa, Su]
— CHEM 110
- AERSP 308H (3cr) [Sp]
— E MCH 212, MATH 251
- E MCH 416H (3cr) [Sp]
— E MCH 213 or 210
- E SC 400H (3cr) [Sp]
— E E 210, MATH 250
- E SC 419 (3cr) [Sp]
— E SC 312

Alternative FEs (0-2 courses)

Departmental list contains courses from AERSP, AE, BE, BMB, BIO E, BIOL, C E, CH E, CHEM, CMPEN, CMPSC, E E, E SC, EGEE, ENGR, I E, M E, MATH, MATSE, METEO, NUC E

Arts (GA)

Humanities (GH)

Social Sciences (GS)

US Cultures (US)

International Cultures (IL)

† Honors section in Fa semester

See <http://bulletins.psu.edu/> for course titles and descriptions.